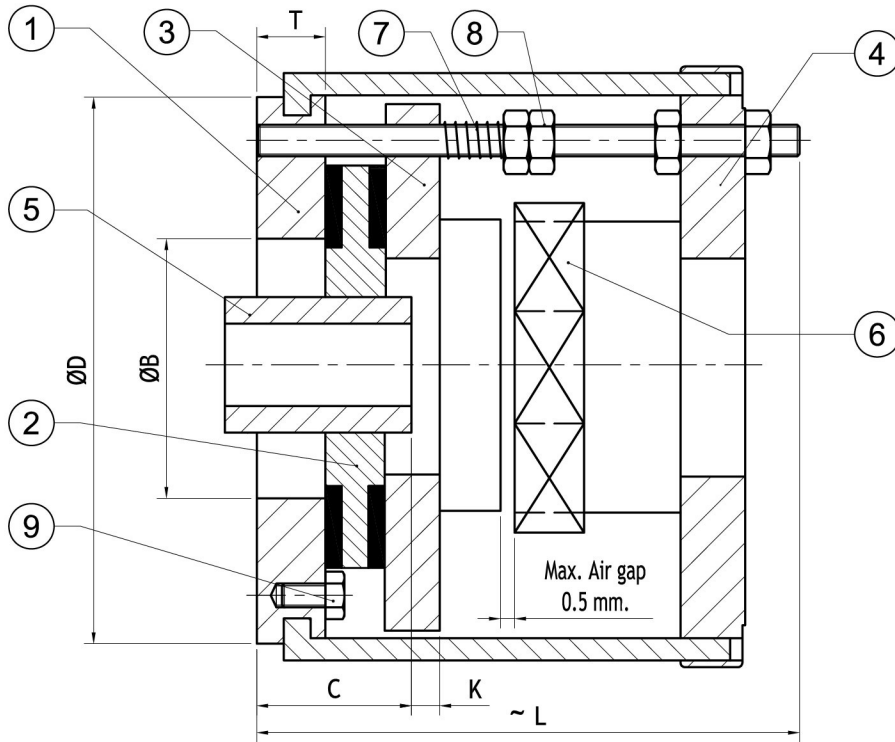
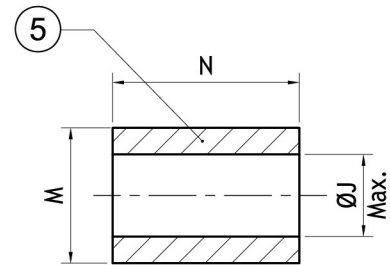


# ELECTRO-MAGNETIC FAIL SAFE SPRING LOADED DISC TYPE AC BRAKE - "DAT" SERIES



## PARTS LIST

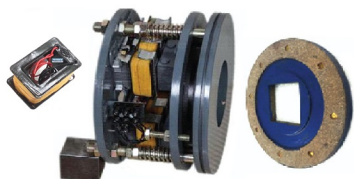
1. MOUNTING PLATE
2. LINER PLATE
3. 'I' STACK PLATE
4. 'E' STACK PLATE
5. SQUARE HUB
6. COIL
7. MAIN SPRING
8. LOCK NUT
9. MANUAL RELEASE BOLT



NOTE : ALL DIMENSIONS ARE IN MM. ALTERATIONS RESERVED.

MODEL	TECHNICAL DATA		DIMENSIONS						SQUARE		
	TORQUE Kgm.	VA	ØD	ØB	~ L	T	C	K	ØJ max	M Square	N
DAT - 130	0.2	80	118	50	120	10	23	4	14	7/8" x 7/8"	28
DAT - 140	0.6	125	134	60	120	10	23	4	24	1 1/4" x 1 1/4"	30
DAT - 150	1.1	80	150	80	120	10	23	4	28	1 1/2" x 1 1/2"	40
DAT - 150X	2.2	80	150	80	135	10	40	4	28	1 1/2" x 1 1/2"	45
DAT - 190	2.5	165	195	80	130	15	31	-	28	1 1/2" x 1 1/2"	45
DAT - 190X	4.5	165	195	80	150	15	52	-	28	1 1/2" x 1 1/2"	60
DAT - 235	4.1	205	235	105	132	15	31	-	38	1 7/8" x 1 7/8"	55
DAT - 235X	6.0	205	235	105	156	15	53	-	38	1 7/8" x 1 7/8"	60
DAT - 290	5.5	250	290	115	156	15	31	-	42	60 x 60	60
DAT - 290X	11.0	250	290	115	180	15	54	-	42	60 x 60	60
DAT - 290XX	14.0	250	290	115	205	15	77	-	42	60 x 60	75
DAT - 31X	20.0	250	320	140	180	15	-	-	65	GEAR HUB	75
DMT - 32X	11.0	250	275	115	180	18	-	-	1 1/2"	60 x 60	45
DMT - 45	6.0	205	225	105	170	15	-	-	1 1/4"	1 7/8" x 1 7/8"	100
DMT - 30	4.1	205	225	105	150	15	-	-	1 1/4"	1 7/8" x 1 7/8"	75
DMT - 20	2.7	165	165	80	165	30	-	-	1"	1 1/2" x 1 1/2"	57
DMT - 15	0.7	80	138	60	150	36	50	4	5/8"	1 1/4" x 1 1/4"	30

NOTE: 1) Model DAT-130 and DAT-140 are available in 230V single phase or 415V two phase. All other brakes are working on 415V three phase 2) 'X' means double disc brakes. 3) DAT-290XX is having three friction discs and is recommended for low speed. 4) DMT series brakes are recommended for half hour rating only. 5) DMT series brakes are provided with finished bore driving hub square and drilled mounting plate. 6) In DAT-130, DAT-140, DAT-150, DAT-150X, DMT-15, shaft is not passing through brake. 7) DAT-31X brake is supplied with geared bush.



### Other Products:

- EOT CRANE PARTS
- Thruster Brakes & DC Brakes
- Crane Limit Switches
- DSL Busbar & Current Collectors
- Crane Limit Switches
- Crane Hook Pulley Block & Safety Latch

### POWERMECH ENGINEERING

Mobile : +91 99404 29288  
 Phone : 044 42614058 / 044 24715461  
 Email : info@powermechengengineering.com  
 Website : www.powermechengengineering.com  
 www.powermechengengineering.in