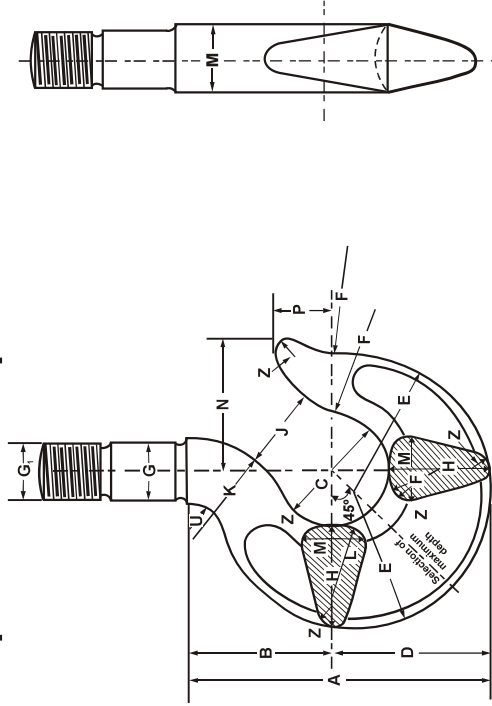


Standard Trapezoidal section point Hooks with Shank



- Crane Hooks
- Crane Hook Block Assembly
- Crane Pulleys
- Safety Latch for Crane Hook
- Safety Latch with Clamp



Ph: 044 - 24715461  
044 - 42614058

IS:3815/1969

\* Note — Undercut according to IS : 1369-1961  
Calculating formulae for C :  
For MS — C = 26.73/P  
For HS — C = 23.17/P

# Machined shank diameter (Min)  
See IS : 4218-1967 'ISO metric screw threads'  
⊕ Boundary dimensions of rolling bearings for general engineering purposes.  
MS = Mild steel  
HS = High tensile steel

Dimensions of screw thread run outs and undercuts

W Safe Working Load Tons	P Proof Load Tons	A (2.75 C)	B (1.3 C)	C*	D (1.4 C)	E (1.25 C)	F (1.0 C)	G#	THREAD		Ball Bearing To IS:2313-1963 <sup>⊕</sup>				
									Nominal Size G1	Pitch	Bore	Series	Outside Diameter	Width	
0.5	1	MS 74 HS 63	35 38	27 23	39 35	34 29	27 23	15 12	M14 M12			15 12	11 11	28 26	9 9
1.0	2	MS 105 HS 91	50 43	38 33	55 41	48 41	38 33	20 20	M20 M18			20 20	11 11	35 35	10 10
2.0	4	MS 145 HS 126	69 60	53 46	76 66	66 58	53 46	30 25	M27 M24			30 25	12 12	52 47	16 15
3.2	6.4	MS 187 HS 162	89 77	68 59	98 85	85 74	68 59	35 30	M33 M30			35 30	13 13	68 60	24 21
5.0	10.0	MS 233 HS 201	111 96	85 73	122 105	106 91	85 73	40 40	M42 M36			40 40	13 13	85 78	28 26
8.0	16.0	MS 294 HS 256	140 122	105 93	154 134	134 116	109 93	55 50	M52 M40			55 50	13 13	105 95	35 31
10.0	20.0	MS 327 HS 286	156 136	119 104	171 150	149 130	119 104	60 55	M60 M52			60 55	13 13	110 105	35 35
12.0	25	MS 369 HS 319	176 152	134 116	193 167	168 145	134 116	70 60	M68 M60			70 60	13 13	125 110	40 35
16.0	32	MS 415 HS 360	198 171	151 131	217 189	189 164	151 131	80 70	M76 M68			80 70	13 13	140 125	44 40
20.0	40	MS 465 HS 404	221 193	169 147	243 211	211 184	169 147	85 80	M80 M72			85 80	13 13	150 140	49 44
25	50	MS 520 HS 451	248 215	189 164	272 230	236 205	189 164	100 95	M90 M80			100 95	13 13	190 150	63 49
32	60	MS 569 HS 481	271 229	207 175	298 252	259 219	207 175	110 100	M100 M90			110 100	13 13	210 190	70 63
40	70	MS 616 HS 533	293 254	224 194	323 279	280 242	224 194	120 110	M110 M100			120 110	13 13	210 190	70 63
50	85	MS 680 HS 588	324 280	247 214	356 308	309 268	247 214	130 120	M120 M110			130 120	13 13	225 210	75 70

All dimensions in mm.

